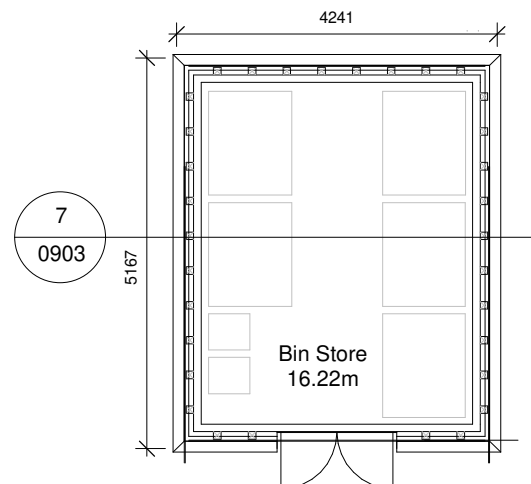
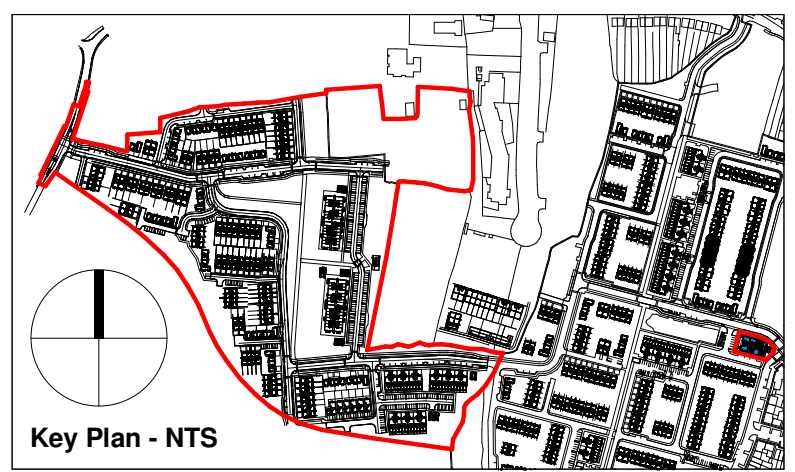
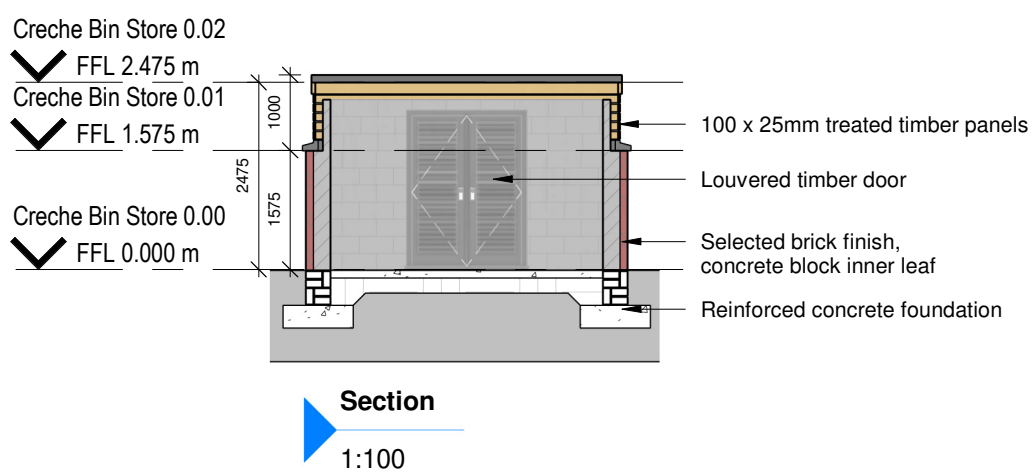
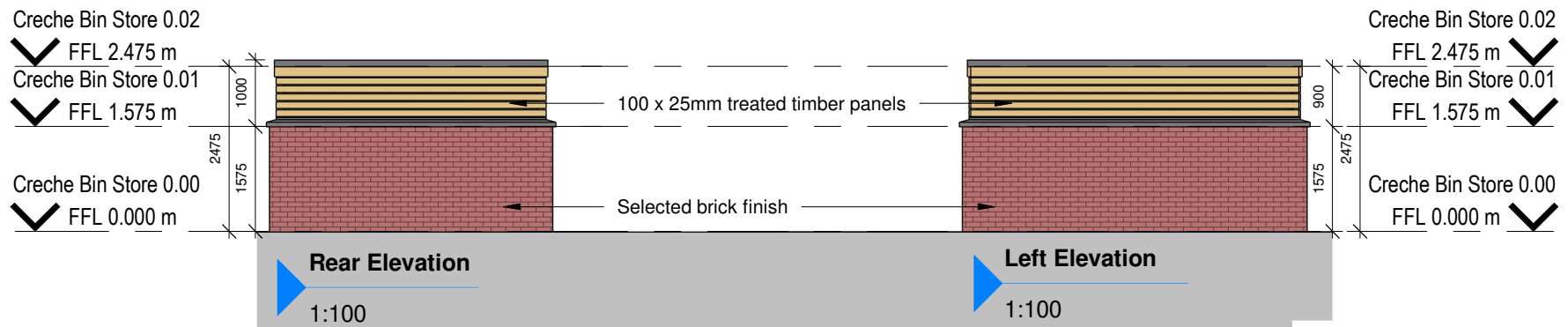
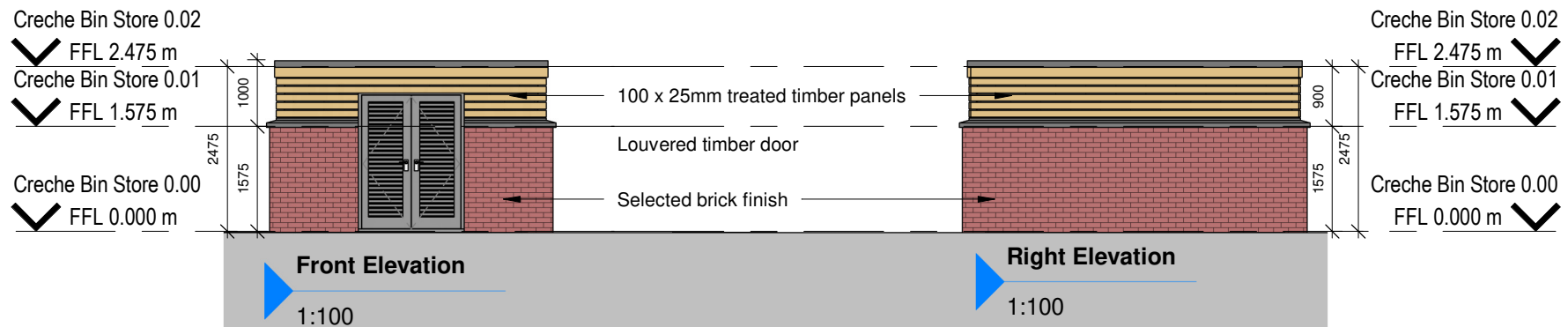


Roof Plan  
1:100



Ground Floor Plan  
1:100



Key Plan:

Rev:	Date:	Description:	By:
1	03/06/2022	Issued For Planning	MOLA

Drawing Status: **PLANNING**

Reply Address:  
2 Donnybrook Road, Telephone +353 1 218 3900  
Donnybrook, Dublin 4, Ireland www.molaarchitecture.com

Notes  
Do not scale.  
Use figured dimensions only.  
This drawing is to be read in conjunction with all relevant specifications and drawings.  
All dimensions to be checked on site.  
In the event of any discrepancies between drawings the contractor is to inform the Architect immediately.

**MOLA**  
ARCHITECTS ■ PLANNERS ■ URBAN DESIGNERS ■

Client: Cairn Homes Properties Ltd.  
Project: Newcastle South

Drawing: Childcare Facility Bin Store

Date:	Scale:	Drawn By:	Approved By:	Int. Job No:
03/04/21	As indicated	CJ	NN	18001
Project No:	Originator:	Zone:	Level:	Type:
NCS21-	MOLA-XX-ZZ-DR-	A-	XX-	0903 P 1

© COPYRIGHT This drawing or design may not be reproduced without permission